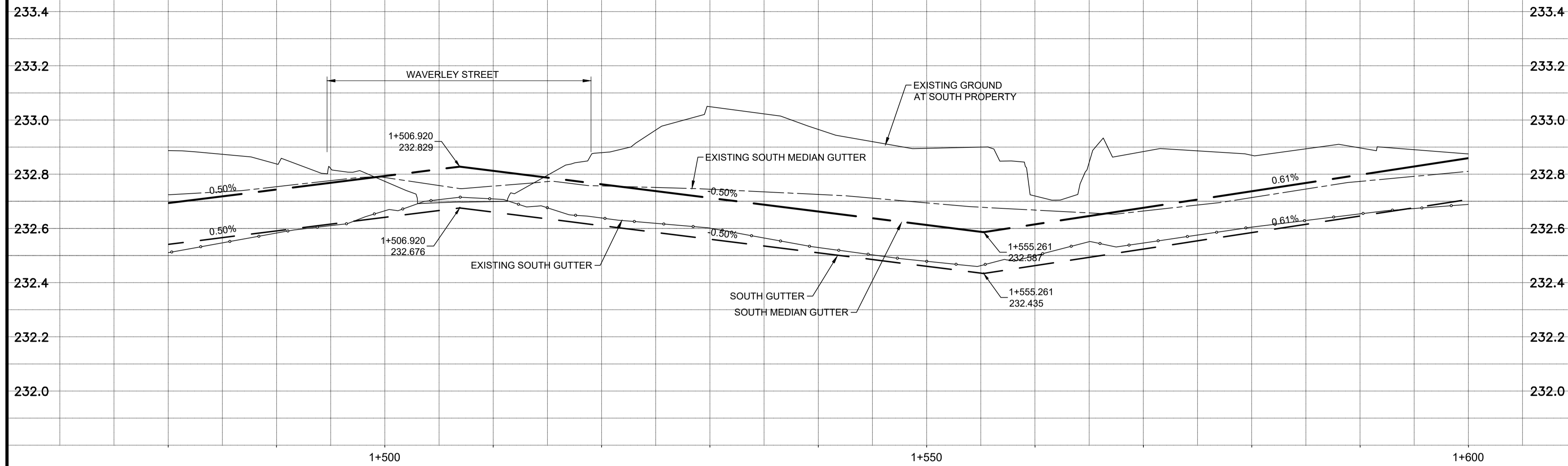
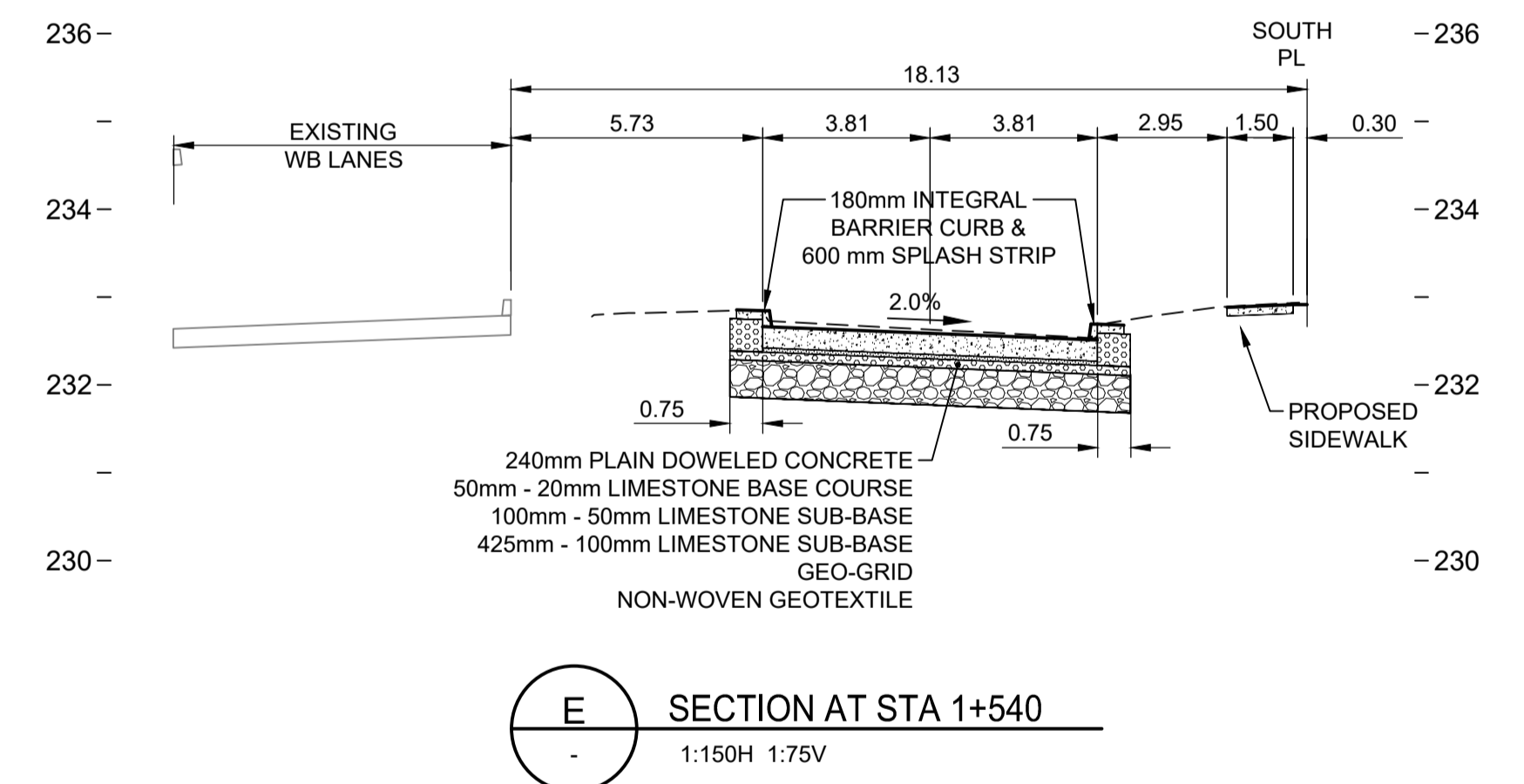
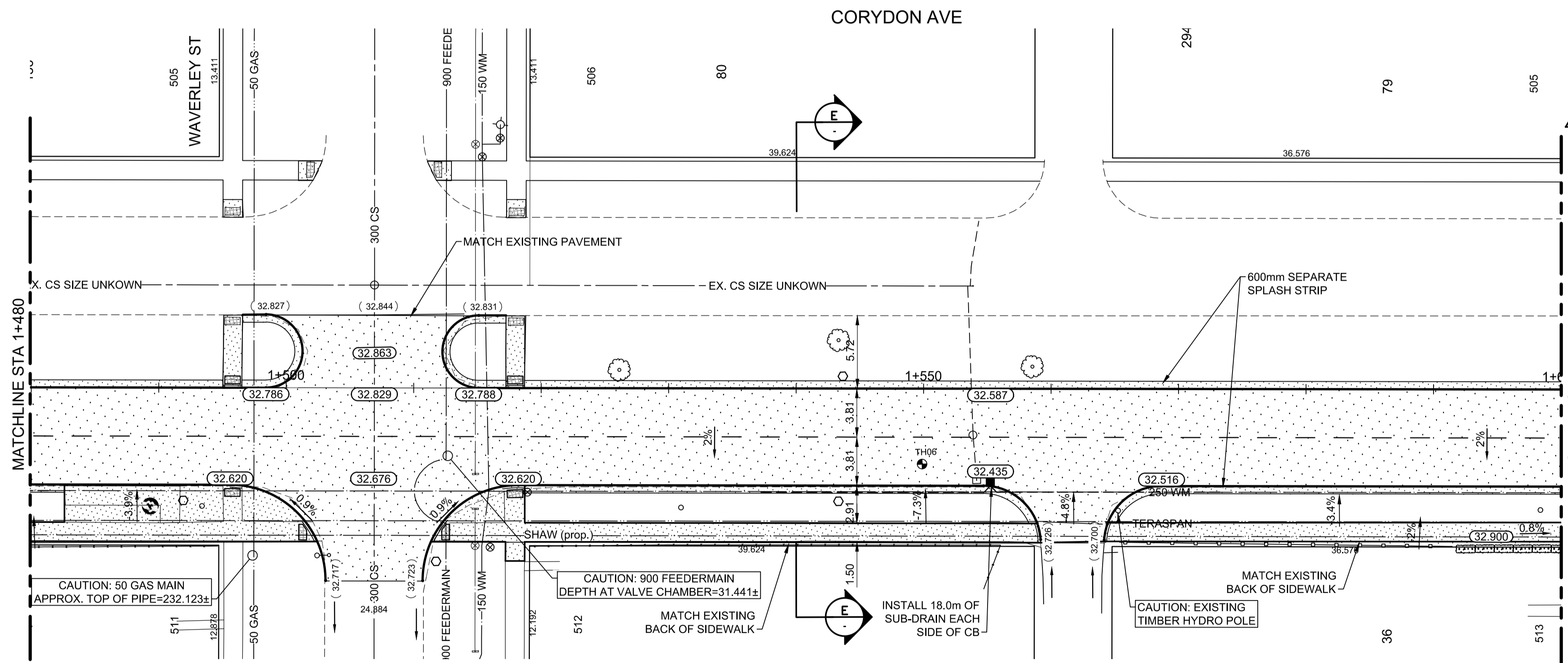


EASTBOUND LANES



NOTES:

- ADJUST EXISTING MANHOLES AS REQUIRED.
- ADJUST EXISTING VALVE AS REQUIRED.
- FOR CB'S LEADS AND UNDERGROUND INFO SEE SHEET 24 TO 29.
- INSTALL SUB-DRAINS AS PER PLAN DRAWINGS AS PER SD-245 c/w CAPPED ENDS.
- PRIVATE APPROACHES ARE 200mm REINFORCED CONCRETE WITH 75mm BASE COURSE, 225mm-50mm SUB-BASE AND NON-WOVEN GEOTEXTILE.
- RETAIN EXISTING SUB-BASE AND REPLACE CONCRETE SLABS ONLY WHERE PUBLIC LANES, MEDIAN OPENINGS, AND LOCAL STREET TIE-INS WERE RECENTLY RECONSTRUCTED, AS DIRECTED BY THE CONTRACT ADMINISTRATOR.
- REFER TO TENDER SPECIFICATIONS FOR CONSTRUCTION REQUIREMENTS WORKING ON OR NEAR EXISTING GAS MAINS.
- REFER TO TENDER SPECIFICATIONS FOR CONSTRUCTION REQUIREMENTS FOR WORKING ON OR NEAR EXISTING 900 FEEDERMAIN.
- BLUE PAVERS INSET IN SIDEWALK TO BE CONSTRUCTED AT EACH TRANSIT STOP AND WETSET CLAMP AS PER DETAIL ON SHEET 55.



WARNING

IF POWER EQUIPMENT OR EXPLOSIVES ARE TO BE USED FOR EXCAVATION ON THIS PROJECT THE CONTRACTOR MUST:  
 1) NOTIFY THE GAS COMPANY OF THE PROPOSED LOCATION OF EXCAVATION.  
 2) TAKE PRECAUTION TO AVOID DAMAGE TO GAS COMPANY INSTALLATIONS.  
 SEE PROVINCIAL REGULATION 140/92 FOR DETAILS

METRIC

WHOLE NUMBERS INDICATE MILLIMETRES  
 DECIMALIZED NUMBERS INDICATE METRES

EXISTING	PROPOSED	EXISTING	PROPOSED	EXISTING	PROPOSED	EXISTING	PROPOSED
150 WM	150 WM	150 WM	150 WM	HYDRANT	HYDRANT	CONCRETE	CONCRETE
300 LDS	300 LDS	300 LDS	300 LDS	LAND DRAINAGE SEWER	LAND DRAINAGE SEWER	ASPHALT	ASPHALT
250 WWS	250 WWS	250 WWS	250 WWS	WASTE WATER SEWER	WASTE WATER SEWER	SIDEWALK	SIDEWALK
MANHOLE	MANHOLE	MANHOLE	MANHOLE	CATCH BASIN	CATCH BASIN	ASPHALT MILL & FILL	ASPHALT MILL & FILL
CURB INLET/CATCH PIT	CURB INLET/CATCH PIT	CURB INLET/CATCH PIT	CURB INLET/CATCH PIT	TRANSIT STOP	TRANSIT STOP	STREET LIGHT	STREET LIGHT
GAS	GAS	GAS	GAS	PROPERTY LINE	PROPERTY LINE	HYDRO POLE	HYDRO POLE
LEGEND-PLAN	LEGEND-PLAN	LEGEND-PLAN	LEGEND-PLAN	LEGEND-PLAN	LEGEND-PLAN	SURVEY BAR	SURVEY BAR
						ELEVATION	ELEVATION
						SIDEWALK RAMP	SIDEWALK RAMP
						LEGEND-PROFILE	LEGEND-PROFILE

LOCATION APPROVED UNDERGROUND STRUCTURES	
SUPV. U/G STRUCTURES COMMITTEE	DATE
NOTE:	LOCATION OF UNDERGROUND STRUCTURES AS SHOWN ARE BASED ON THE BEST INFORMATION AVAILABLE BUT NO GUARANTEE IS GIVEN THAT ALL EXISTING UTILITIES ARE SHOWN OR THAT THE GIVEN LOCATIONS ARE EXACT. CONFIRMATION OF EXISTENCE AND EXACT LOCATION OF ALL SERVICES MUST BE OBTAINED FROM THE INDIVIDUAL UTILITIES BEFORE PROCEEDING WITH CONSTRUCTION.

B.M. ELEV.	
NO.	REVISIONS
0	ISSUED FOR TENDER
20.02.14	S.R.S.
DATE	BY
2019/09/26	

**Stantec**  
 500 - 311 Portage Avenue, Winnipeg MB Canada  
 www.stantec.com

DESIGNED BY	D.C.P.	CHECKED BY	R.K.H.
DRAWN BY	R.S.	APPROVED BY	S.R.S.
HOR. SCALE:	1:250	RELEASED FOR CONSTRUCTION:	
VERTICAL:	1:10	DATE	

ENGINEER'S SEAL

**PRELIMINARY DRAWING**

NOT TO BE USED FOR CONSTRUCTION

CONSULTANT DRAWING NO.  
**C-205**

**THE CITY OF WINNIPEG**  
 PUBLIC WORKS DEPARTMENT  
 ENGINEERING DIVISION

2019-2023 STAFFORD/TAYLOR/CORYDON  
 TENDER 1  
 CORYDON AVENUE  
 STA 1+480 TO STA 1+600  
 ROADWORKS - RECONSTRUCTION

SHEET 10 OF 55  
 CAD FILE DRAWING NUMBER  
 08020c-204-932.dwg  
 CITY DRAWING NUMBER  
 P-3524-10

U:\1\1378020\0302\_cdr\dwg\1378020\_0302\_prel\_1378020\_0302.dwg